



HOME DEKOR

fashion furniture

ATTICUS
GALLERY

WOODWORK
HANDMADE
FURNITURE



ATTICUS GALLERY

All products are designed by Paco Camús

Atticus Gallery.

This project starts thanks to the initiative of the collector and businessman Rafael Pons Valle who, with his enthusiasm and strength, has enabled this project to see the light.

Driven by the legacy of some of the most emblematic pieces of the designer Paco Camus, and thanks to the contribution of new designs, Atticus Gallery is at the forefront of companies that are committed to originality and excellence. Its mission is to offer extraordinary and unique products, based on constant experimentation and the application of the most rigorous quality criteria.

Atticus Gallery combines technology and craftsmanship to produce unique designs, immune to fashion and ready to conquer the hearts of lovers of beauty.

Paco Camús.

Old-school graphic designer, an illustrator, interior designer experienced in multiple projects, sculptor, collage artist. Paco Camus has always liked to play with the different tools of creativity. His professional career says he is more of a designer than an artist, but sometimes his designs persist in saying that he is more an artist than a designer. The truth is that furniture design, with a significant sculptural component, has been his main professional activity. Paco Camus leads a life dedicated to the search for beauty, as we can deduce from his own words.

“...I have always looked for that intangible magic that emanates from certain shapes and volumes. In that searching process I have never been able to find infallible theorems, not even plausible theories. But the magic is there, it exists, there is no doubt, therefore, although it cannot be explained, it can be searched. To that process of exploration I have dedicated my life. I don't have a formula, but I do have the knowledge and experience of a hunter. I know where it is hiding, I know how to catch it, and that's enough for me”.





PIECES

the whole collection



08.
YASUKE



10.
SAIGON



12.
STRATZA



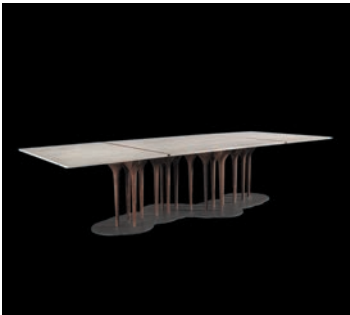
14.
BARONE



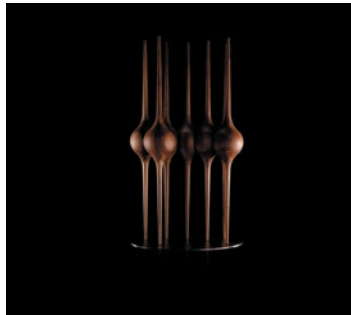
18.
JOYCE



20.
ESGRIMAS



22.
SHAHAD



24.
BOLANZAS



28.
SALMA



30.
NADIA



32.
AGRIPPA & AGRIPPINA



36.
ATLANTIS



40.
BAROCCO



42.
CASIOPEA



44.
COLOSSUS



46.
COPERNICUS



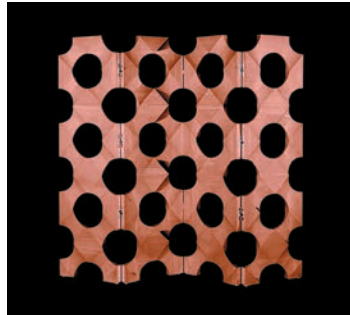
48.
GIORGIO



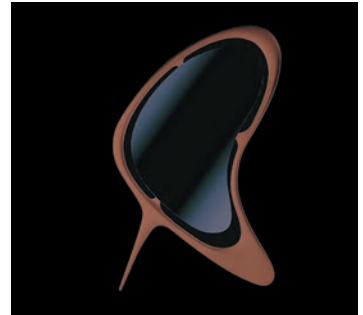
52.
HENDRIX



56.
LADY STING



58.
LEONIDAS



60.
LOVE ME DO



62.
ODISSEY



64.
ORNELLA



66.
ROMINA



70.
SARA BOND



74.
SFORZA



76.
SILVANA



78.
VÍPERUS



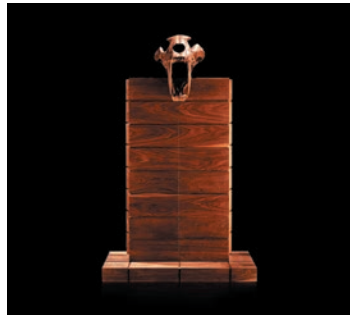
80.
VOLTARE



84.
YRIS



86.
ISADORA



92.
HERCULES



96.
ALFA CENTAURO

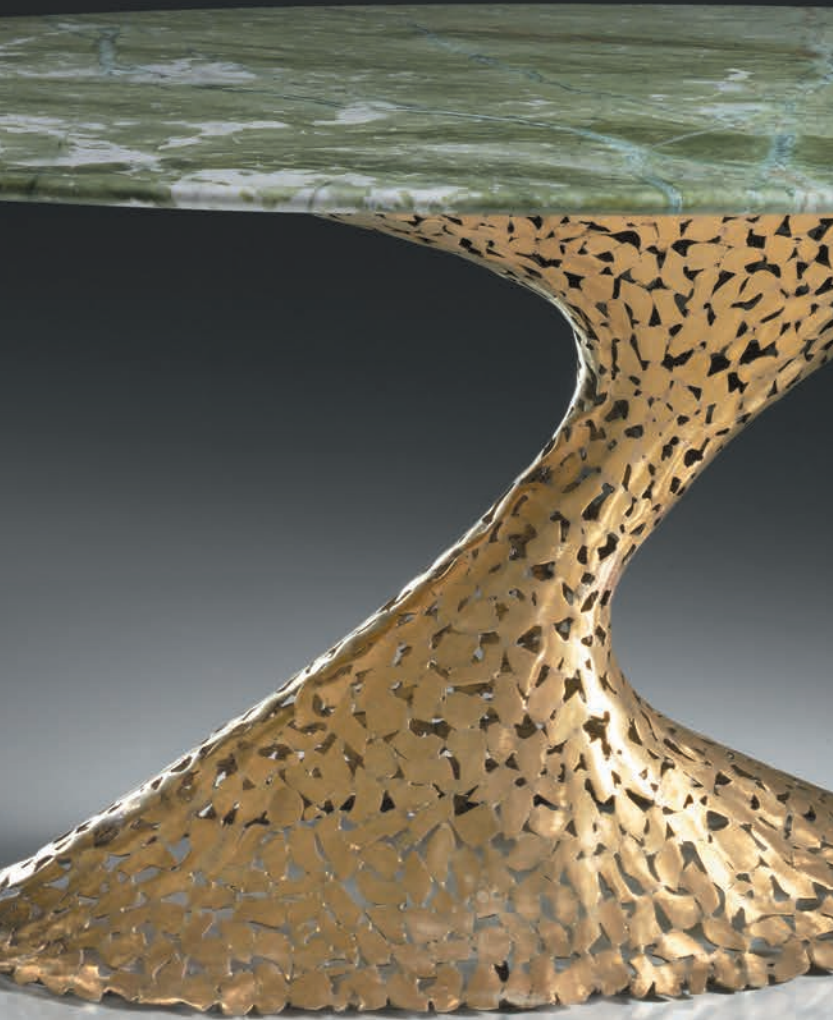


98.
ANDRÓMEDA



*Yasuke
Saigon
Stratza*

7



LIMITED EDITION

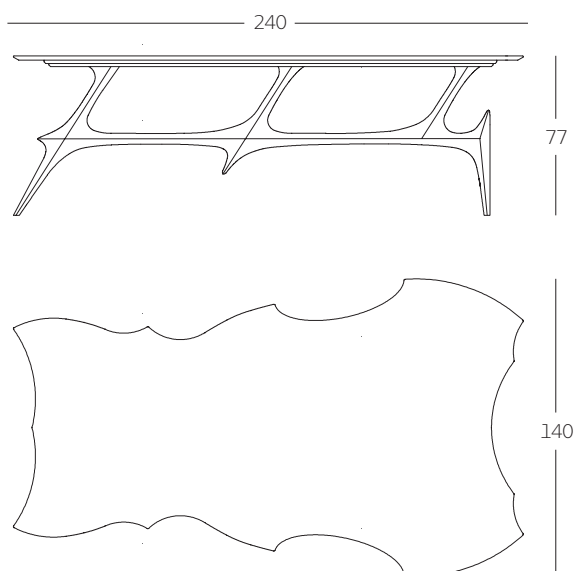
Atticus Gallery

"Limited Edition"



YASUKE

Atticus Gallery



Yasuke. Made with american walnut or ash tree & marble top.



"Limited Edition"



SAIGON

Atticus Gallery



Saigon. Made with tulipier & olive tree.



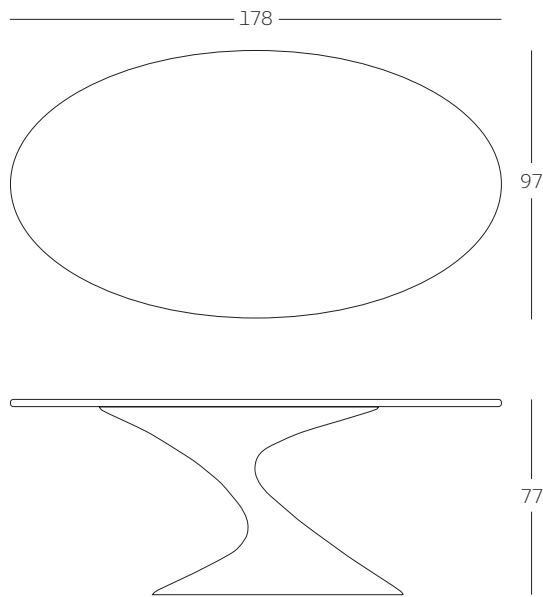
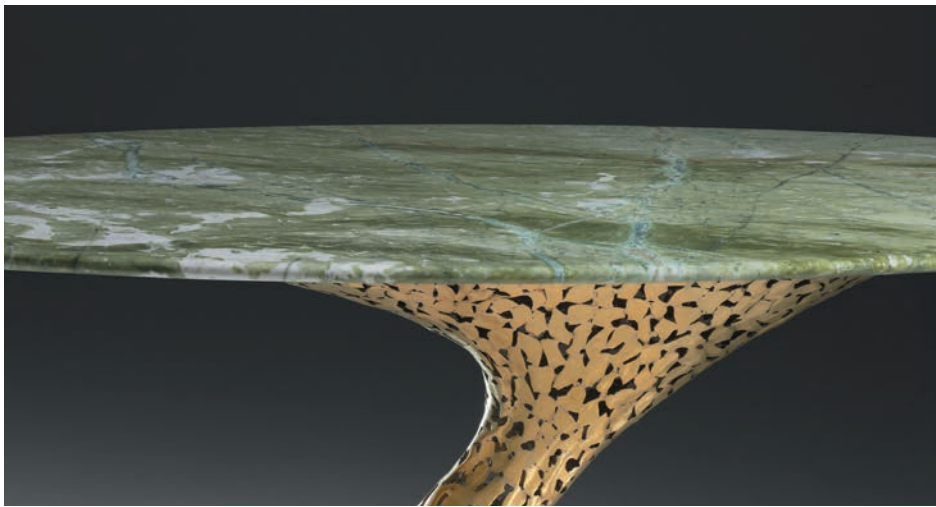
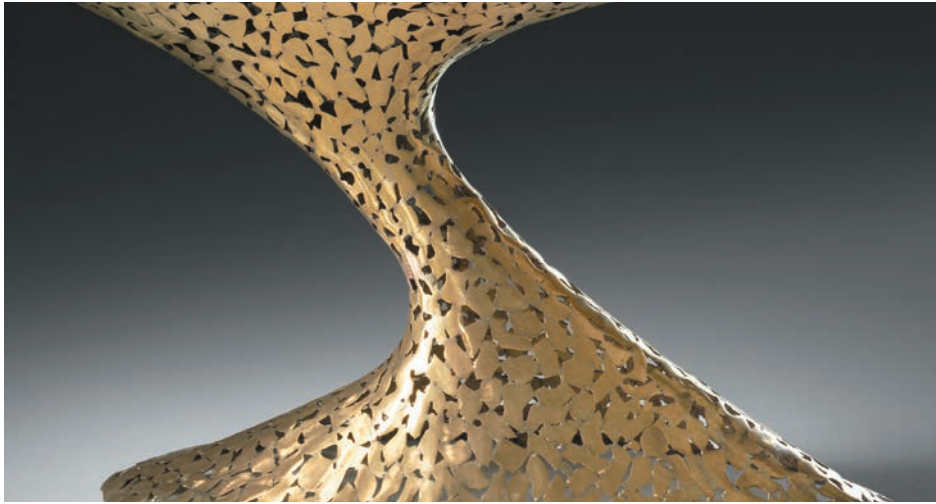
A

"Limited Edition"



STRATZA

Atticus Gallery



Stratza. Made with bronze & marble top.



BARONE

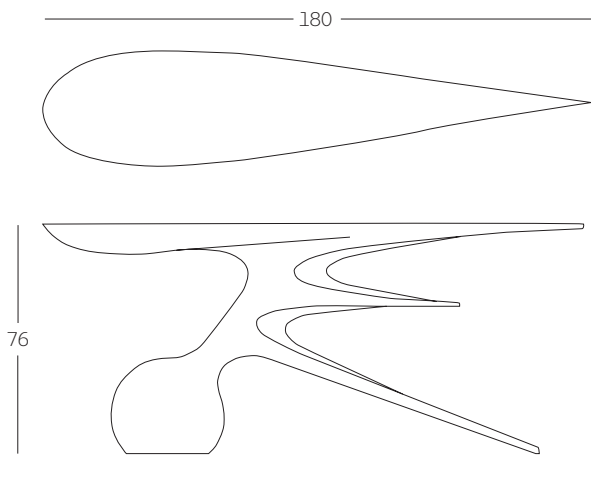
Atticus Gallery





BARONE

Atticus Gallery

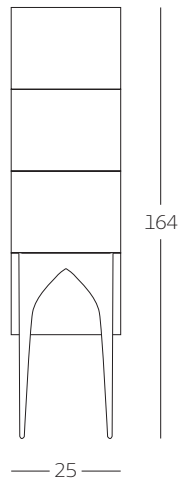
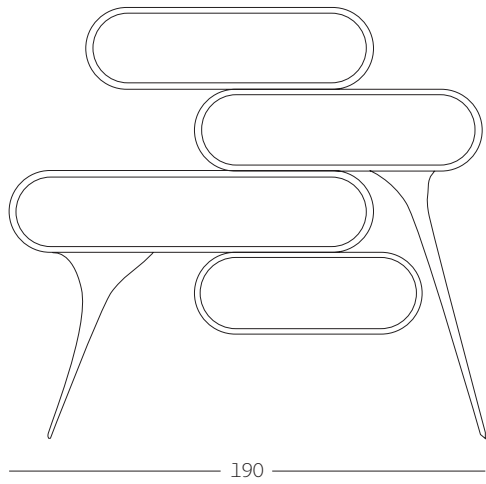


Barone. Made with american walnut or ash tree.



JOYCE

Atticus Gallery



Joyce. Made with american walnut or ash tree.

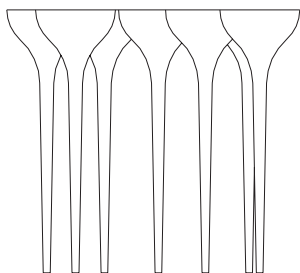


ESGRIMAS

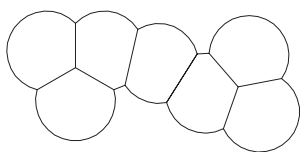
Atticus Gallery



Esgrimas. Made with american walnut or ash tree.



88



40



- 79 (7 legs) —
- 125 (10 legs)
- 160 (12 legs)

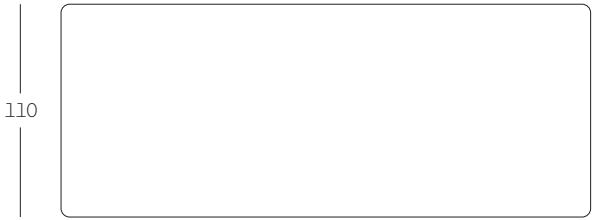
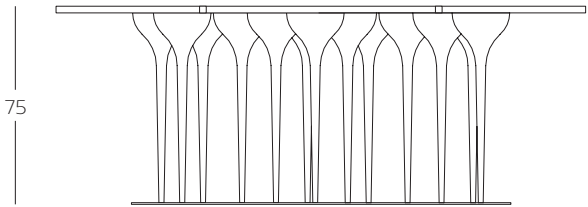


SHAHAD

Atticus Gallery



Shahad. Made with american walnut or ash tree & marble top.



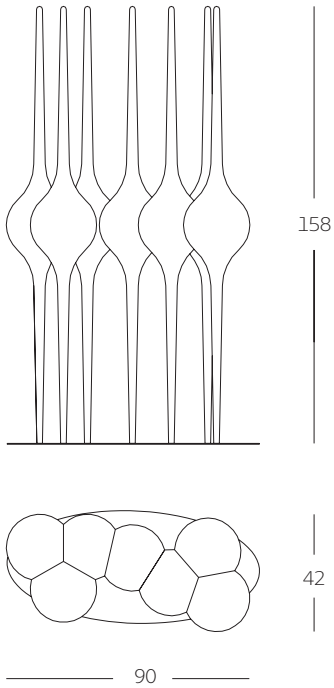
200
220
240





BOLANZAS

Atticus Gallery



Bolanzas. Made with american walnut or ash tree.



BOLANZAS

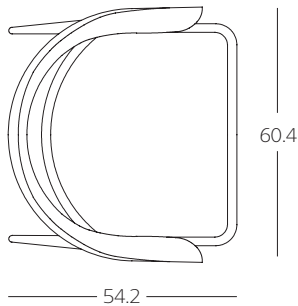
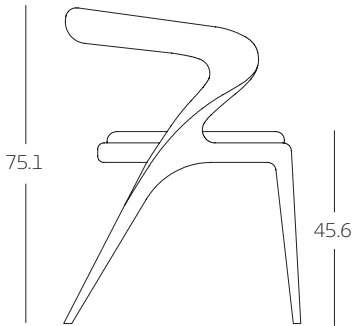
Atticus Gallery





SALMA

Atticus Gallery

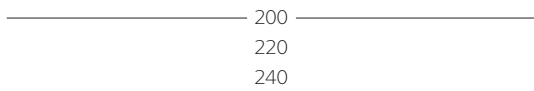


Salma. Made with american walnut or ash tree.



NADIA

Atticus Gallery

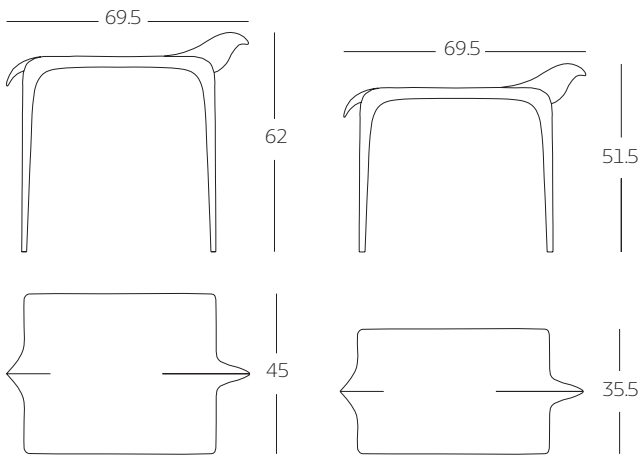


Nadia. Made with american walnut or ash tree & marble top.



AGRIPPA & AGRIPPINA

Atticus Gallery

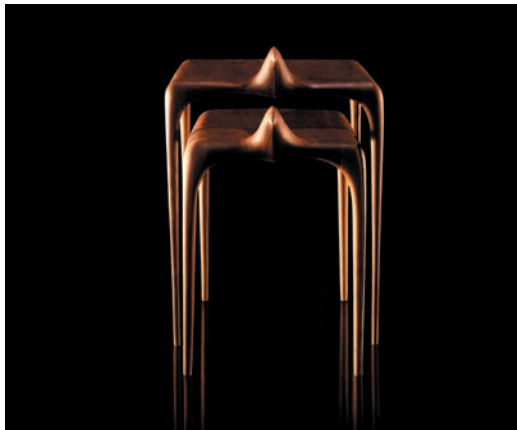


Agrippas. Made with american walnut or ash tree.



AGRIPPA & AGRIPPINA

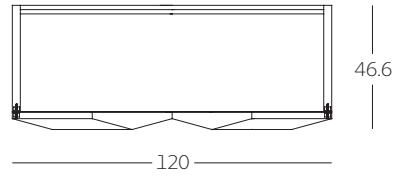
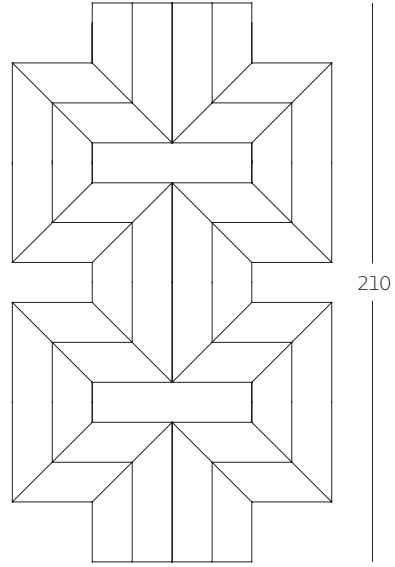
Atticus Gallery





ATLANTIS

Atticus Gallery



Atlantis. Made with american walnut or ash tree.





ATLANTIS

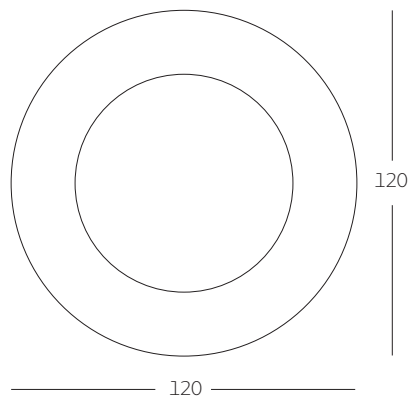
Atticus Gallery





BAROCCO

Atticus Gallery

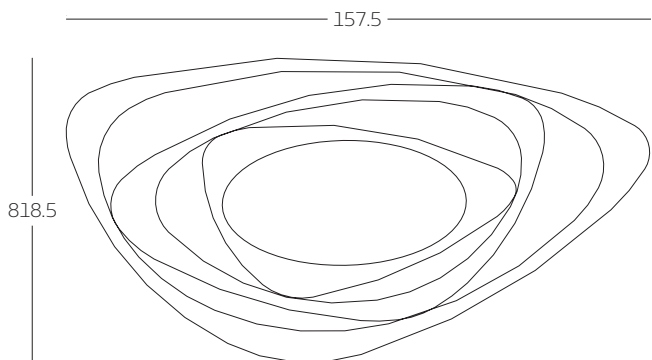


Barocco. Made with printed glass.



CASIOPEA

Atticus Gallery

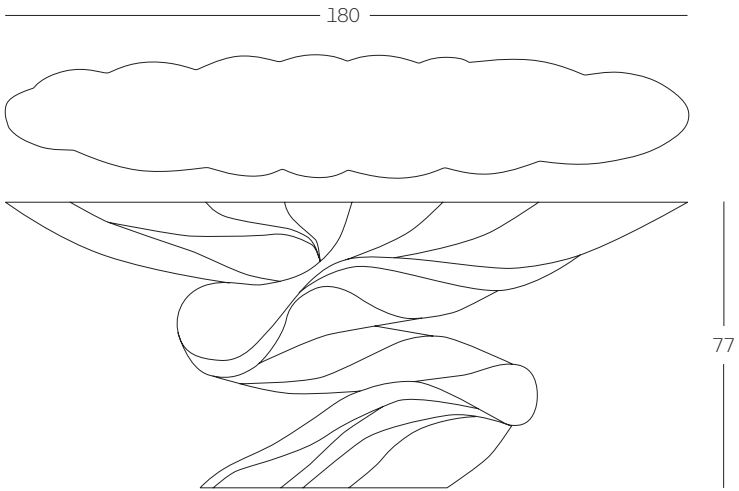


Cassiopea. Made with american walnut or ash tree.



COLOSSUS

Atticus Gallery



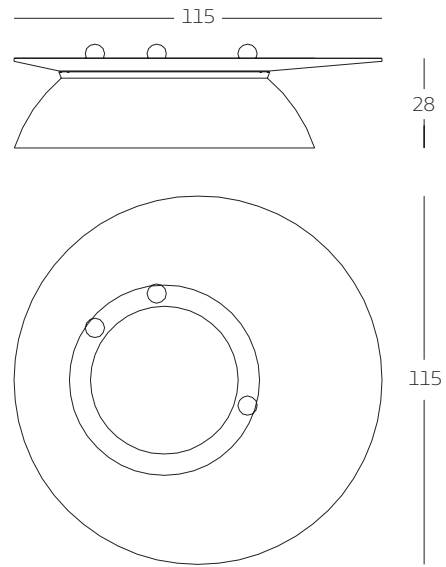
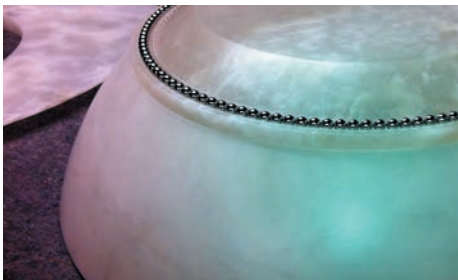
Colossus. Made with american walnut or ash tree.





COPERNICUS

Atticus Gallery



Copernicus. Made with alabaster.



GIORGIO

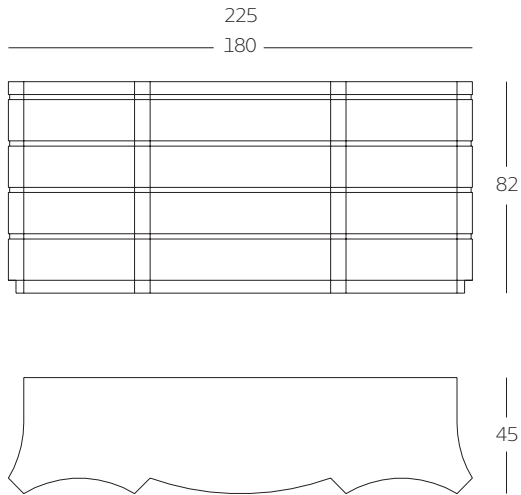
Atticus Gallery



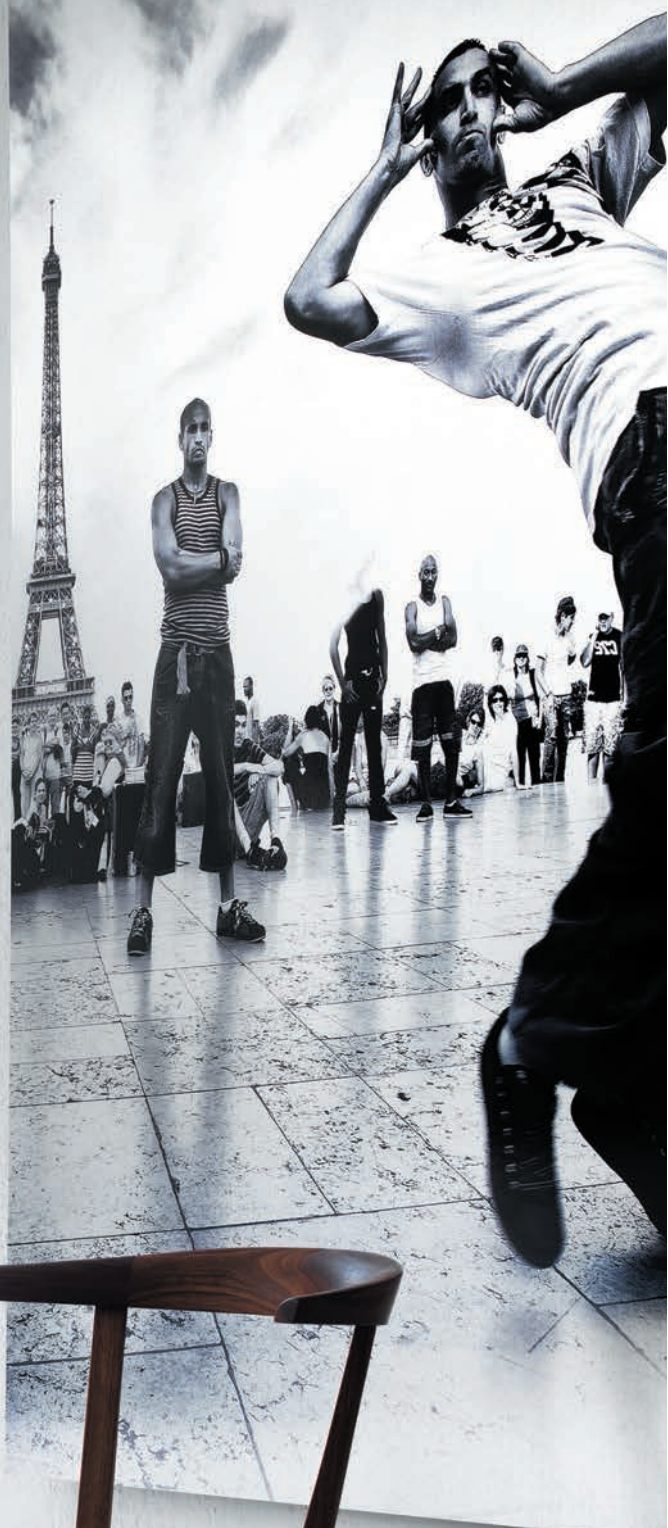


GIORGIO

Atticus Gallery



Giorgio. Made with american walnut or ash tree.



HENDRIX

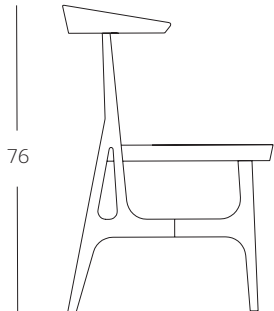
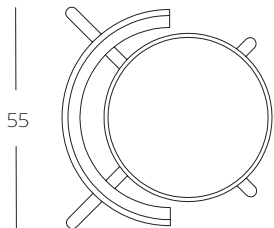
Atticus Gallery





HENDRIX

Atticus Gallery



52

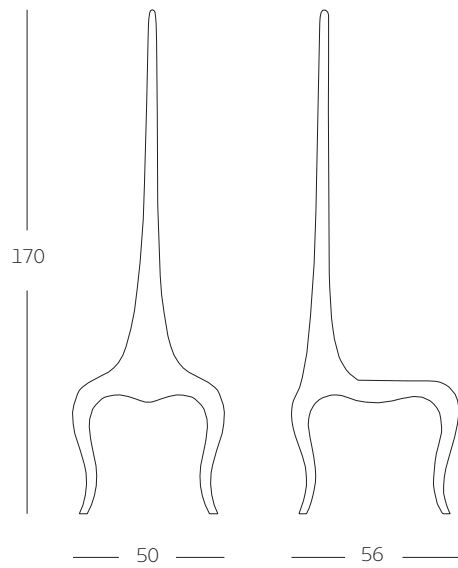
Hendrix. Made with american walnut or ash tree.



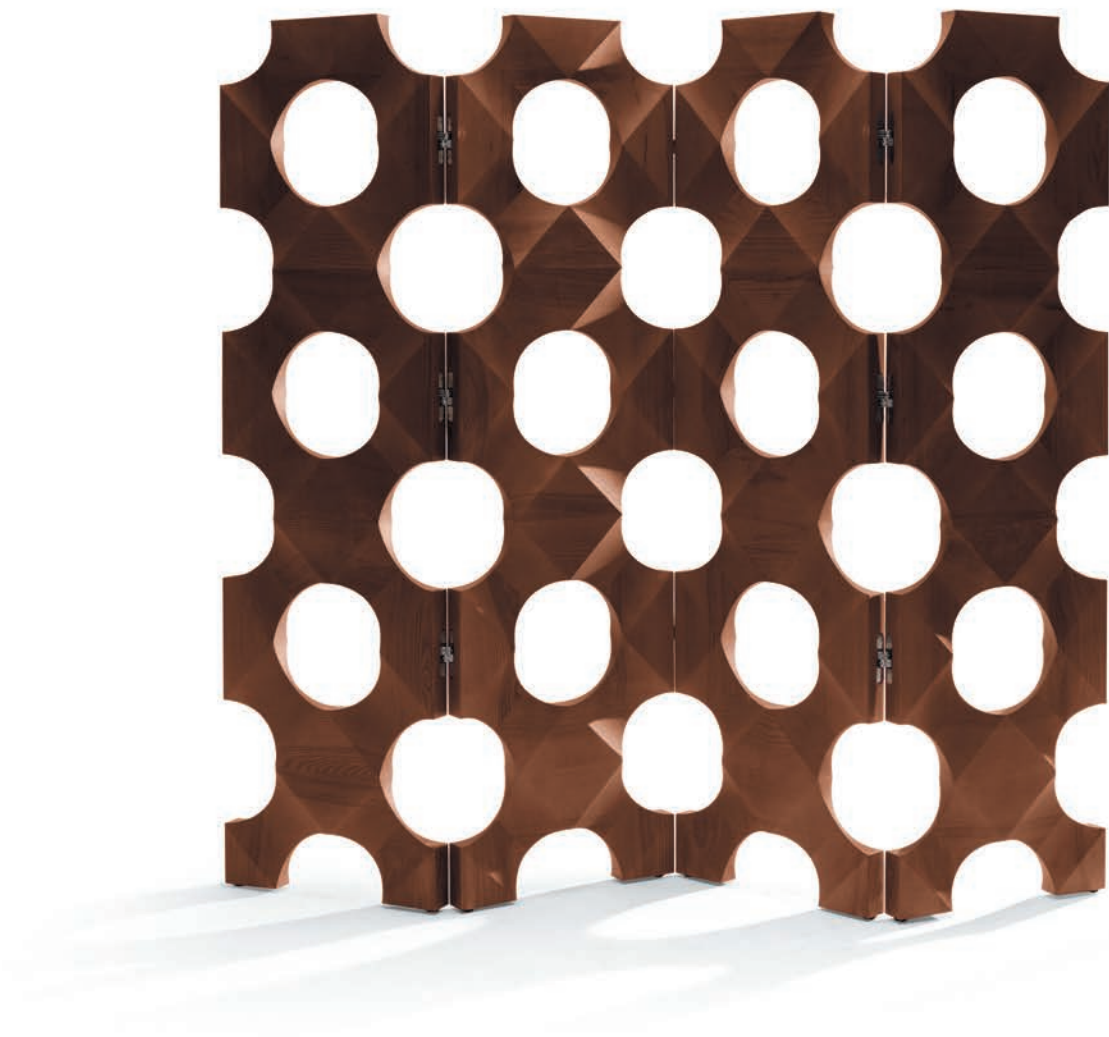


LADY STING

Atticus Gallery

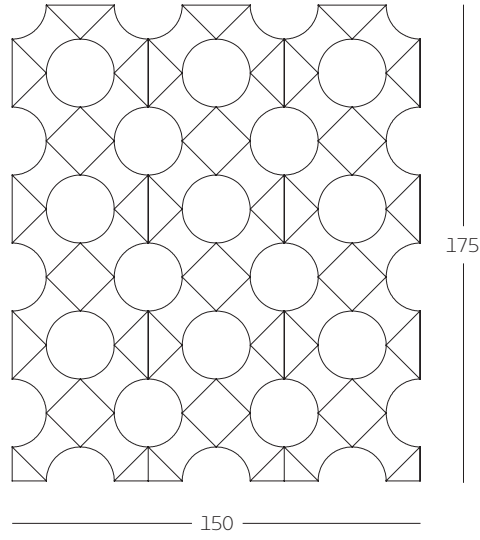


Lady Sting. Made with american walnut or ash tree.

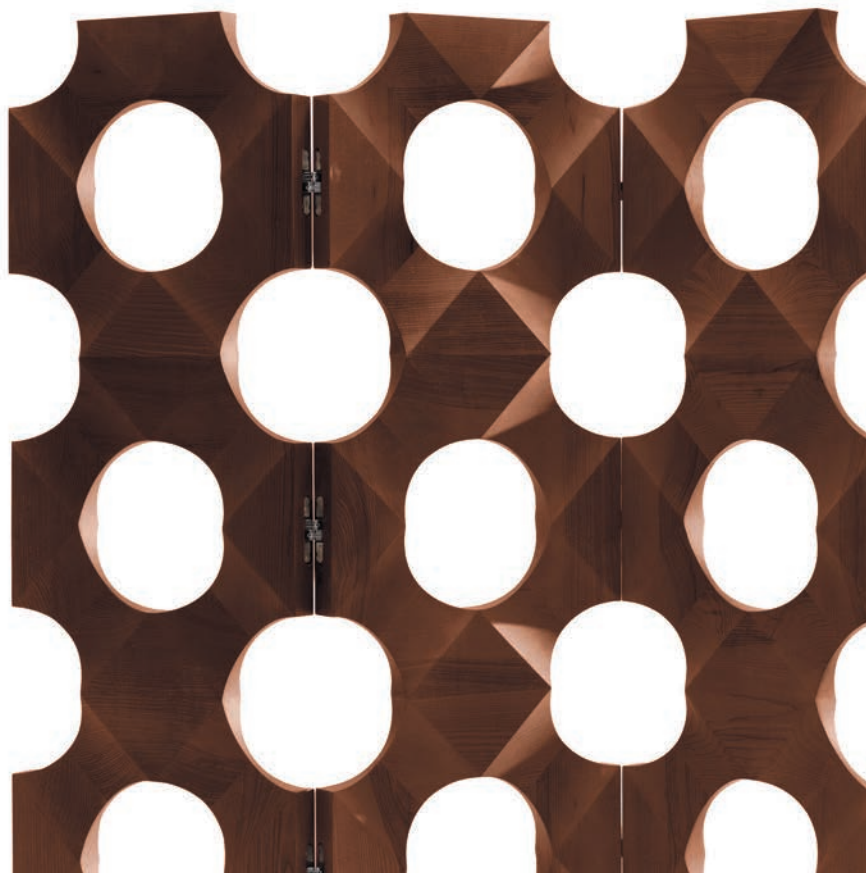


LEONIDAS

Atticus Gallery



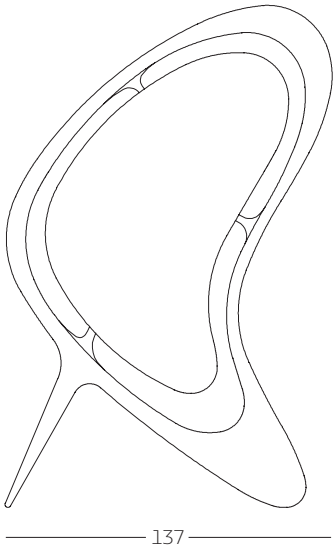
Leonidas. Made with american walnut or ash tree.





LOVE ME DO

Atticus Gallery



Love me do. Made with american walnut or ash tree.

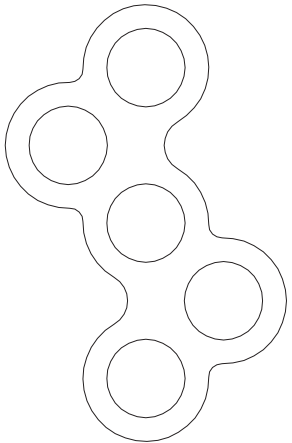


ODISSEY

Atticus Gallery



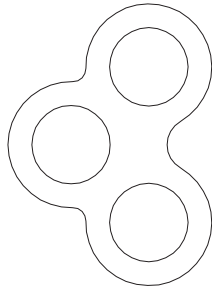
124



193

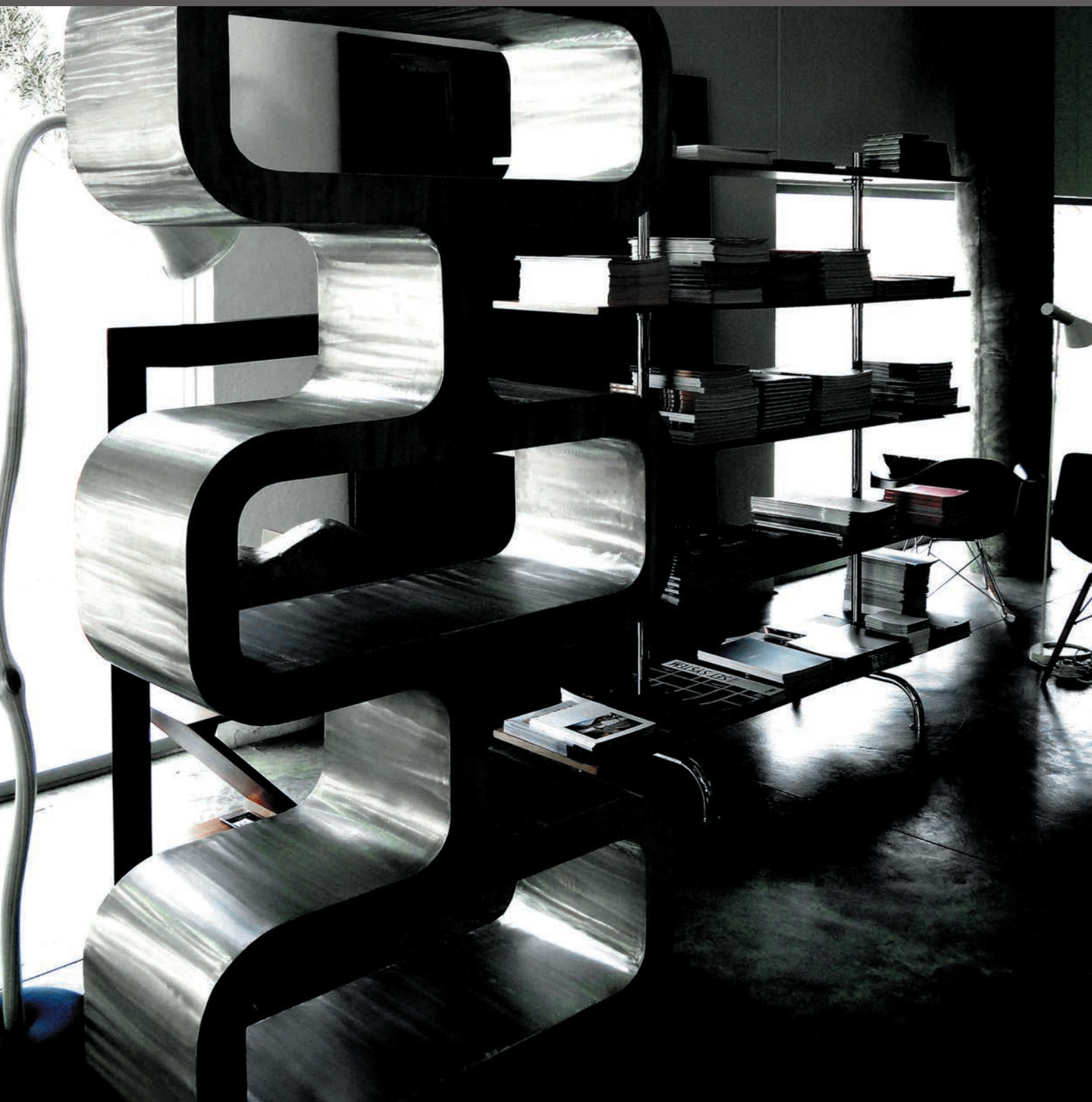
Odissey. Made with glass.

90



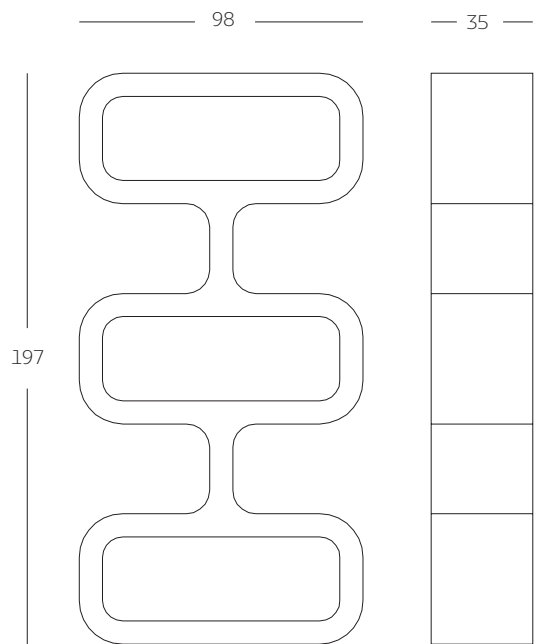
99

A



ORNELLA

Atticus Gallery



Ornella. Made with aluminium.



ROMINA

Atticus Gallery





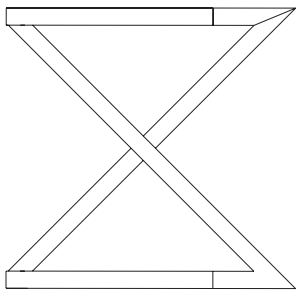


ROMINA

Atticus Gallery



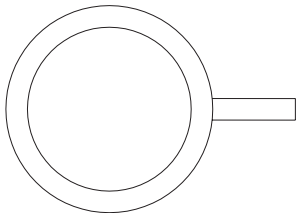
67



65



48



Romina. Made with american walnut or ash tree.



SARA BOND

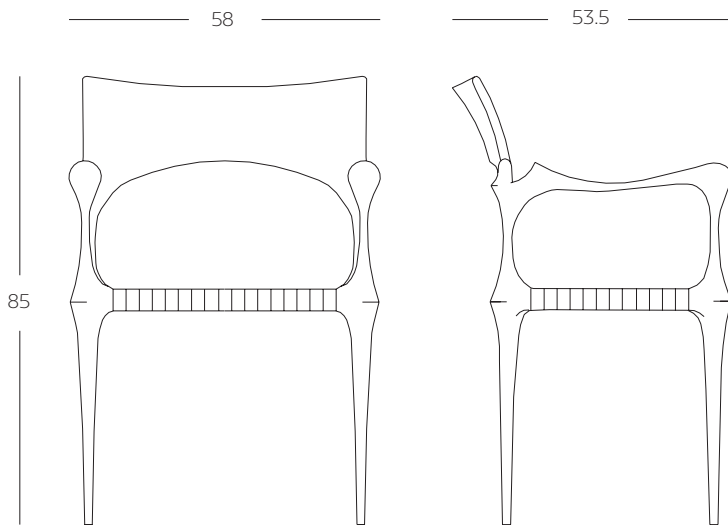
Atticus Gallery





SARA BOND

Atticus Gallery

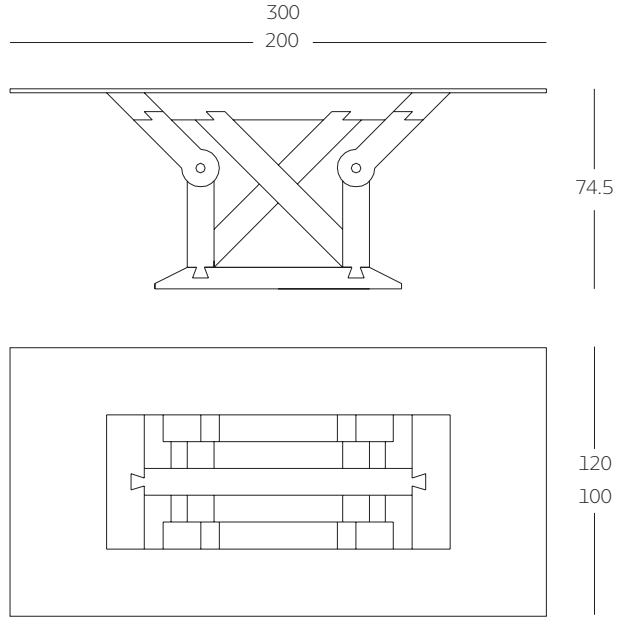


Sara Bond. Made with american walnut or ash tree.



SFORZA

Atticus Gallery



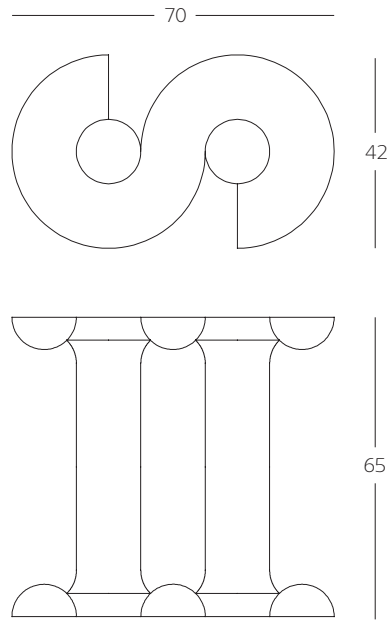
Sforza. Made with american walnut or ash tree.





SILVANA

Atticus Gallery



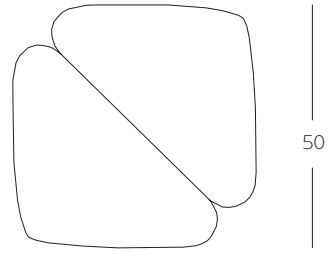
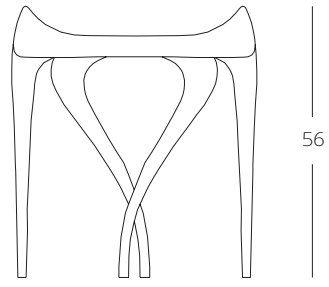
Silvana. Made with american walnut or ash tree.



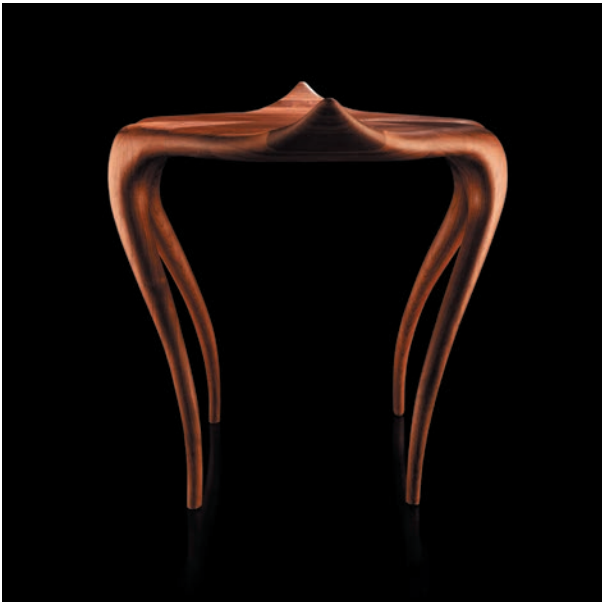


VÍPERUS

Atticus Gallery



Viperus. Made with american walnut or ash tree.





VOLTAIRE

Atticus Gallery



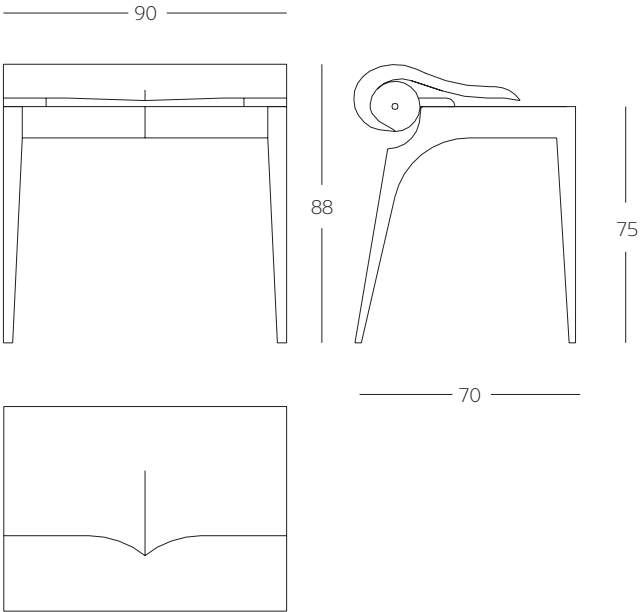


VOLTAIRE

Atticus Gallery



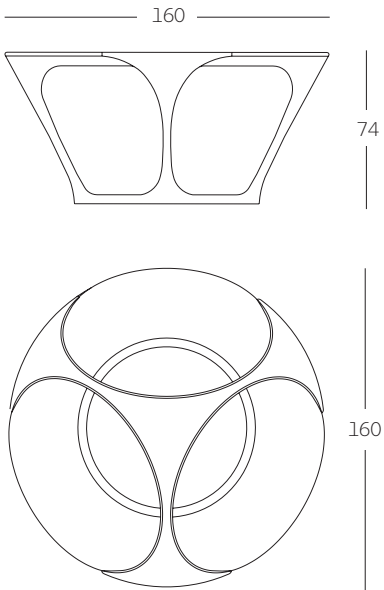
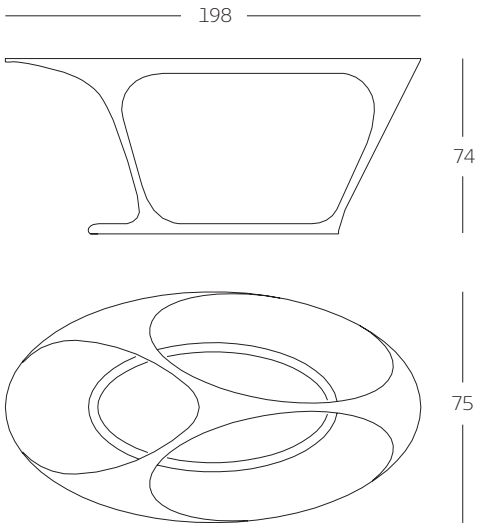
Voltaire. Made with american walnut or ash tree.





YRIS

Atticus Gallery

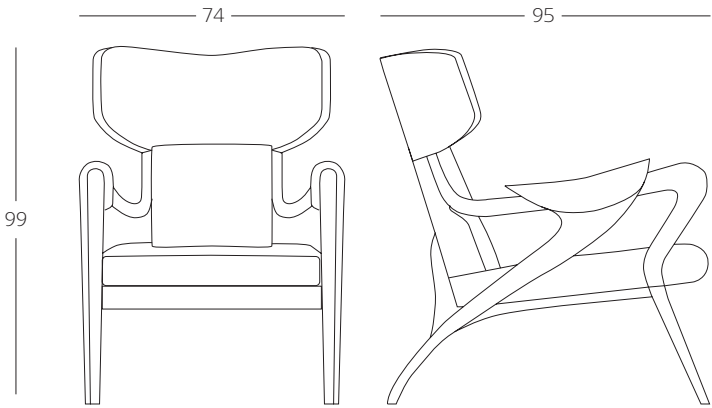


Yris. Made with american walnut or ash tree.



ISADORA

Atticus Gallery



Isadora. Made with american walnut or ash tree.



ISADORA

Atticus Gallery





Atlantis, Isadora, Yris, Romina, Agrippa & Agrippina and Skeleton.

COLLECTION

Atticus Gallery

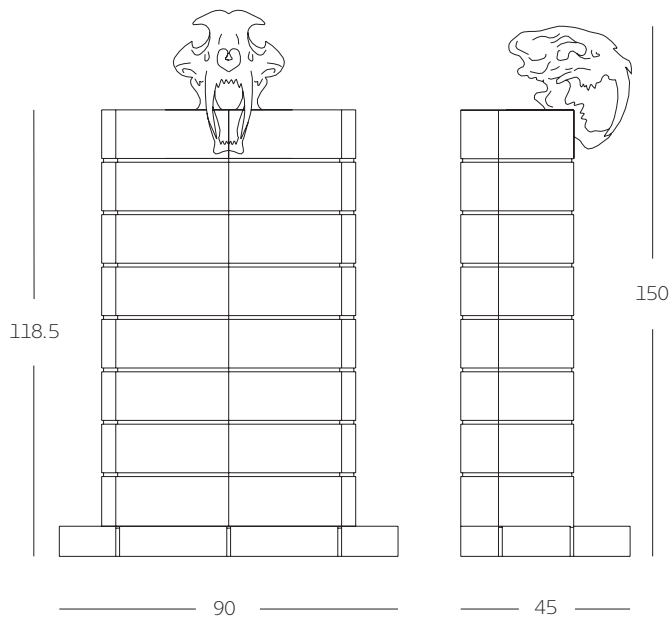




HERCULES

Atticus Gallery





Hercules. Made with
american walnut or ash tree.

HERCULES

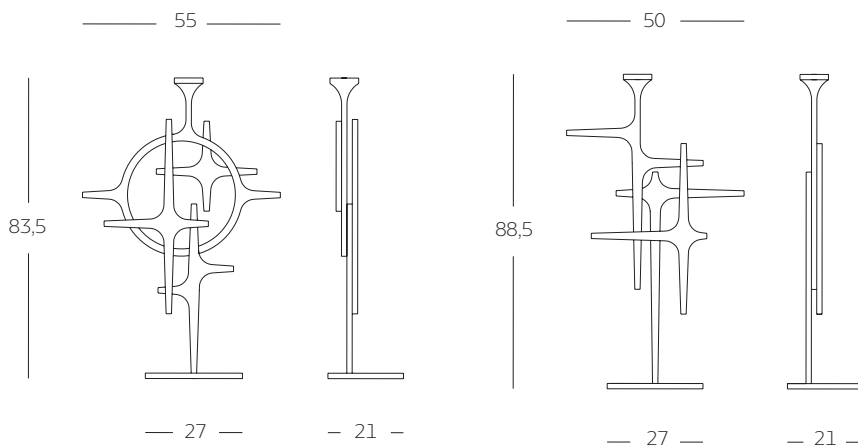
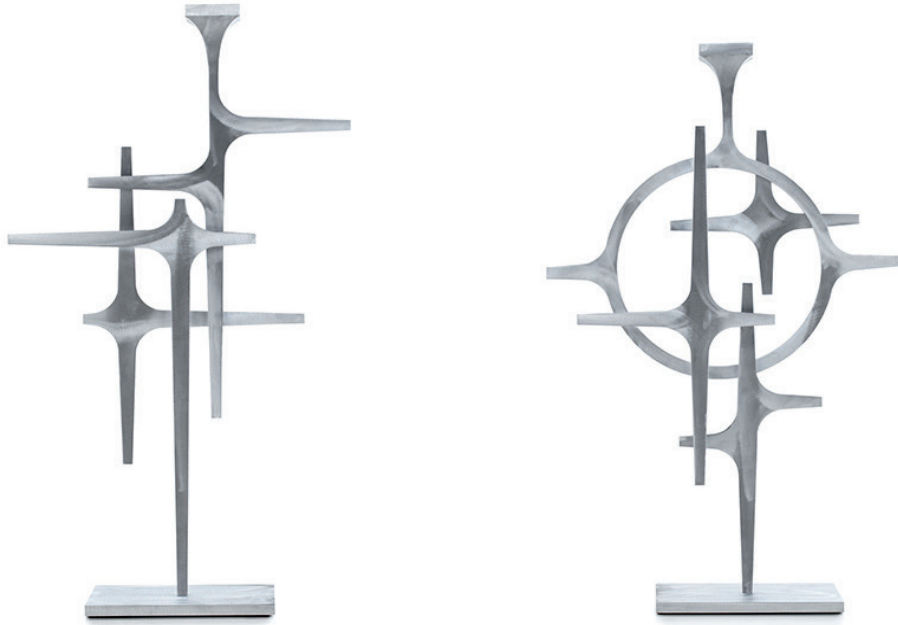
Atticus Gallery





ALFA CENTAURO

Atticus Gallery

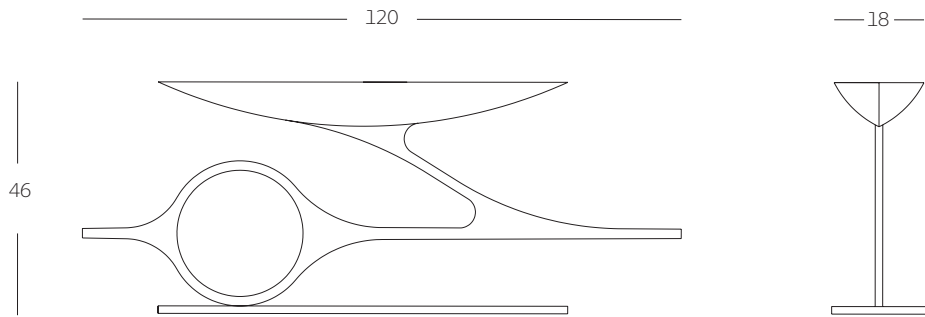
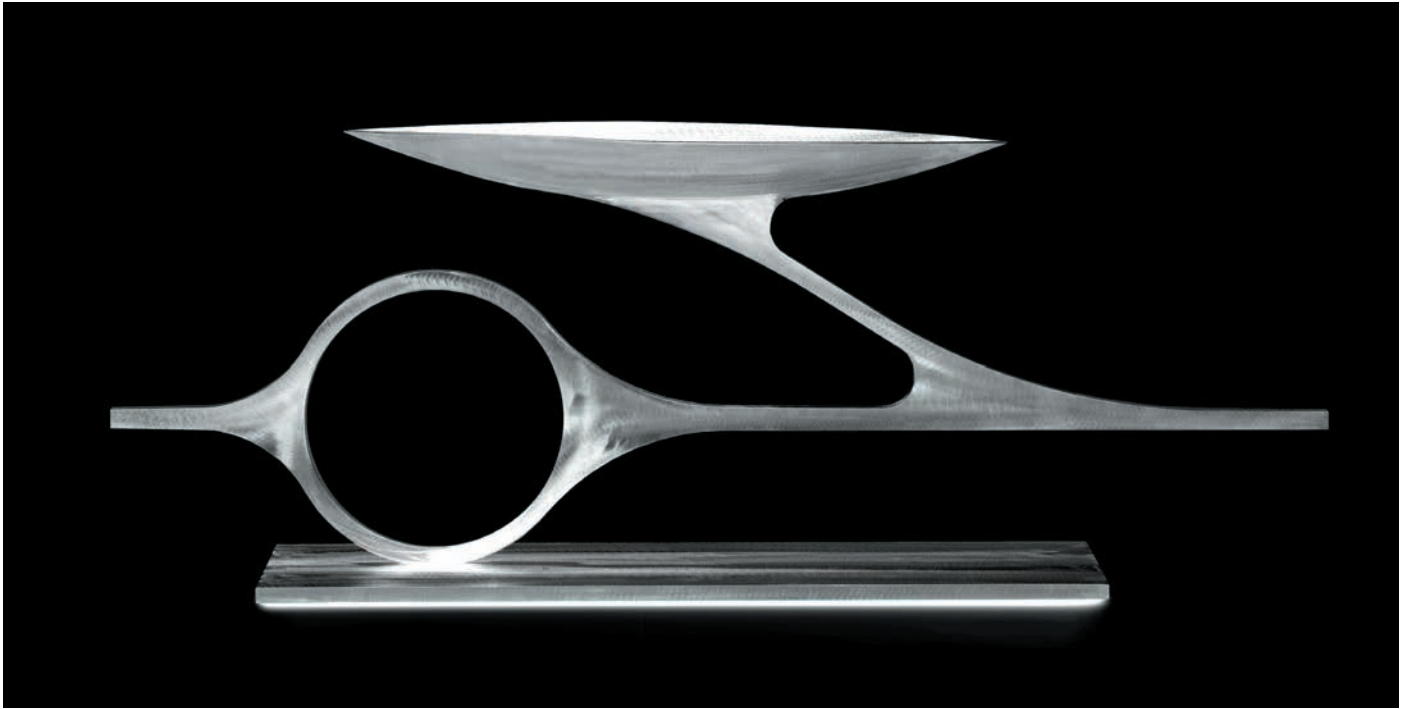


Alfa Centauro. Made with aluminium.



ANDRÓMEDA

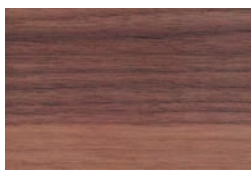
Atticus Gallery



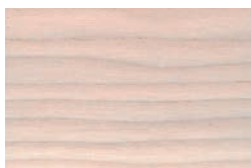
Andromeda. Made with aluminium.

01. WOOD FINISHES

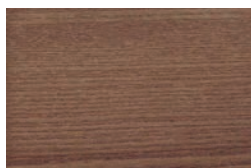
1.1. American Walnut



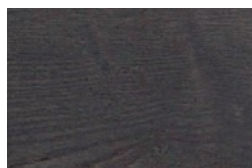
1.2. Ash tree



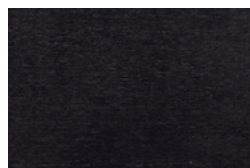
Nata



Tabacco



Antracite



Notte

1.3. Tulipier tree



Golden leaf



Silver leaf



Copper leaf

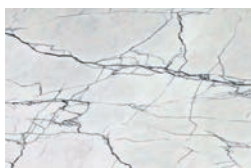


Black lacquered



White lacquered

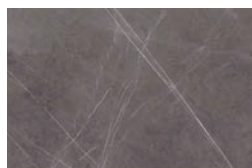
02. MARBLE FINISHES



Greylac



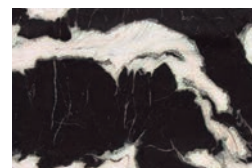
Amazing grey



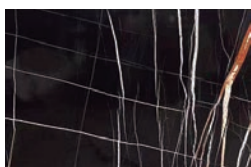
Grey stone



Sequoia brown



Dalmata



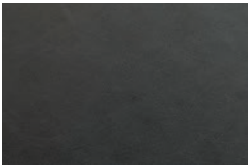
Sahara noir

FINISHES

Samples

03. NATURAL LEATHERS

3.1. Antic leathers



Antracita



Bianco



Botella



Castaño



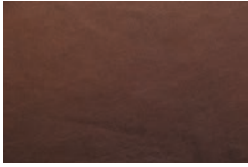
Cobalto



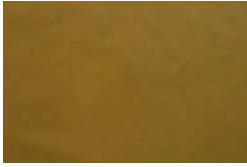
Coñac



Cuoio



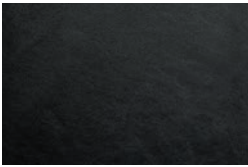
Ebano



Foresta



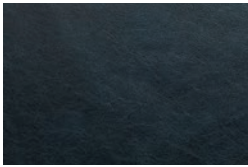
Mostaza



Nero



Perla



Petróleo



Rosso



Tabaco



Topo



Wine

3.2. Nubuk leathers



Antracita



Arándano



Ardesia



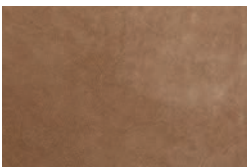
Caramelo



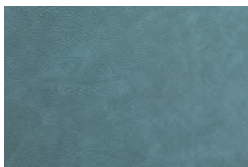
Cuoio



Esmeralda



Fango



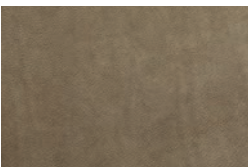
Grafite



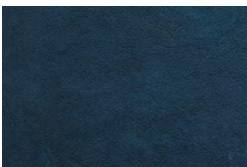
Mare



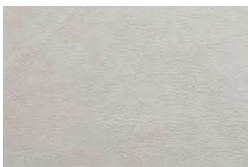
Mostaza



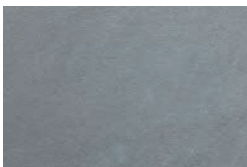
Musgo



Navi



Pietra



Plomo



04. FABRICS



Brunei 01



Brunei 02



Brunei 04



Brunei 05



Brunei 06



Brunei 10



Brunei 11



Brunei 18



Brunei 22



Brunei 31



Brunei 32



Brunei 37



Brunei 44



A

Company.

Atticus Estudio is a company of Spanish origin specialized in designing, constructing, reforming and equipping hotels. Our services include multiple specialities, but all of them are ruled by the same criteria of quality, efficiency and excellence. We have been executing projects in Europe and Asia for many years under various brand names and now we have begun to introduce ourselves in the Caribbean with a unique name, Atticus Estudio, which encompasses all our services. The objective of the company is to offer the best integral solutions for the hotel, tourism and leisure sectors.



Interior Design.

Interior design is undoubtedly one of our strengths, we can collaborate with our customers to make their dream hotel come true, providing solutions that enrich the project. Our condition as furniture manufacturers gives us a special adaptability and agility when carrying out projects. No matter the style or material, we have the right professionals and facilities to produce any type of piece.



Architecture & Construction.

At Atticus Estudio we are always open and receptive to the latest international trends. Our creative department is constantly looking for the most innovative architectural proposals, because we like to explore new concepts applied to the world of hospitality and above all, we are interested in new ideas that bring freshness and modernity.



Our extensive experience in Europe allows us to offer an unbeatable quality in the execution of projects. The control and supervision of all the specialists and professionals involved in a work is one of our obsessions, as well as the imaginative and demanding selection of materials to be used in each phase of the project.

SUTEGA CANTON



RISTORIA RESTAURANT

TRINQUET PELAYO



BALA BAYA RESTAURANT

LOS 9 PISOS



BALA BAYA RESTAURANT



HOME DEKOR

— fashion furniture —

www.home-dekor.com